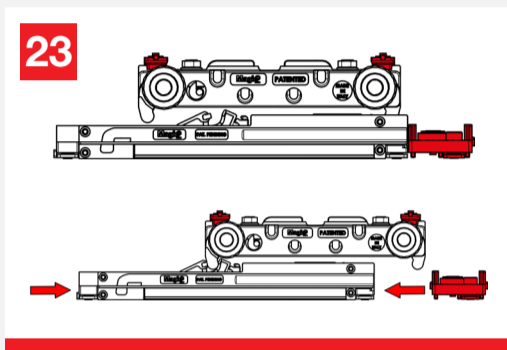
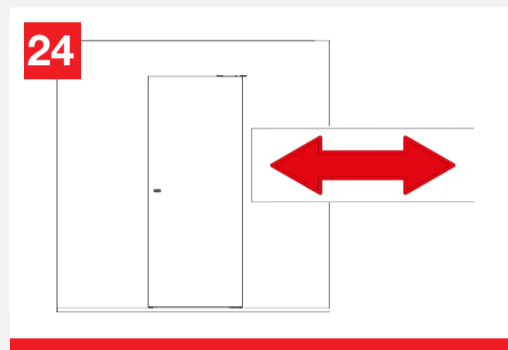


**CLOSE THE DOOR SLOWLY AT FIRST AUTOMATIC LOAD AFTER INSTALLATION**

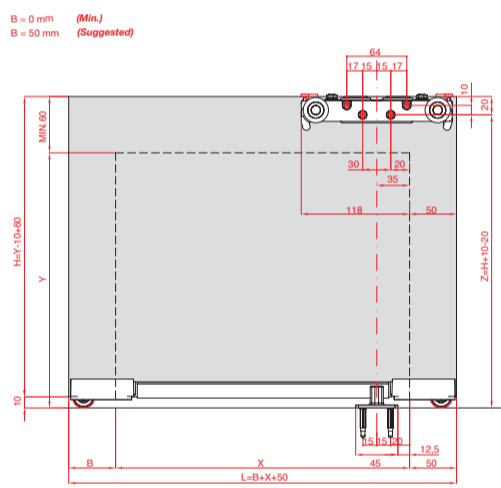
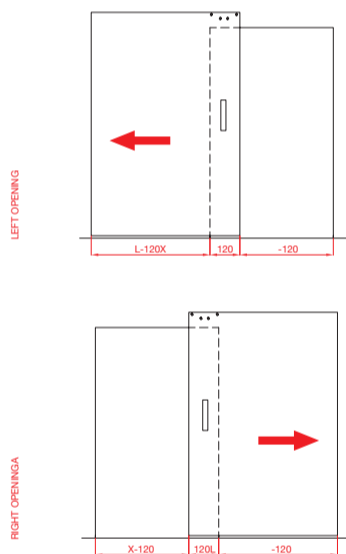


**IN ORDER TO ADJUST DOOR POSITIONING IT IS POSSIBLE TO MOVE THE DAMPER**



**RECOMMENDED FOR APPLICATIONS IN PUBLIC SPACES, HOTELS AND RESIDENCES**

**ACCESSORIES PLACEMENT (STANDARD POSITION)**



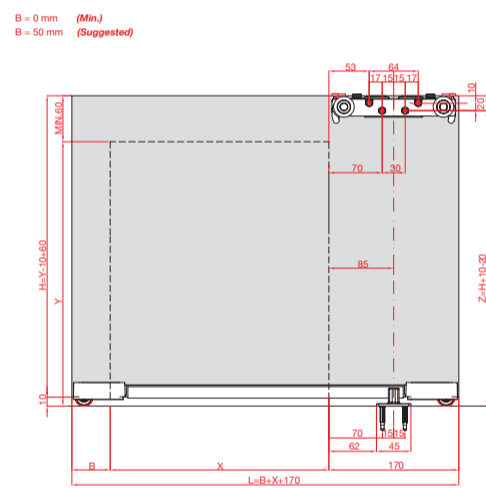
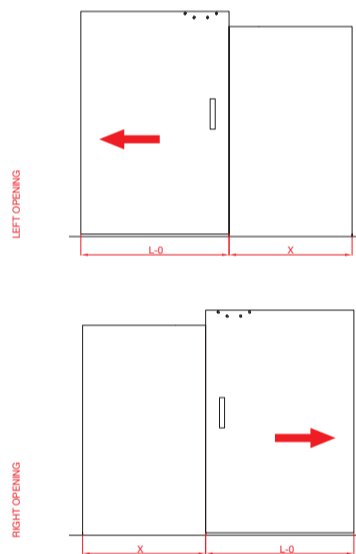
**1100**  
 B=0  
 X= MIN. 800 (L=850)  
 X= MAX. 1050 (L=1100)

**B=50**  
 X= MIN. 800 (L=900)  
 X= MAX. 1000 (L=1100)

**1800**  
 B=0  
 X= MIN. 800 (L=850)  
 X= MAX. 1750 (L=1800)

**B=50**  
 X= MIN. 800 (L=900)  
 X= MAX. 1700 (L=1800)

**ACCESSORIES PLACEMENT (TOTAL OPENING POSITION)**



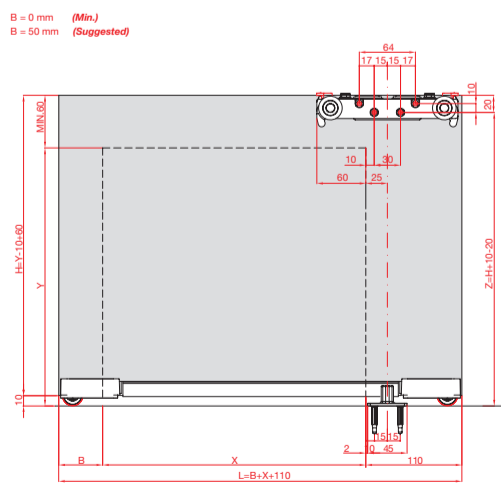
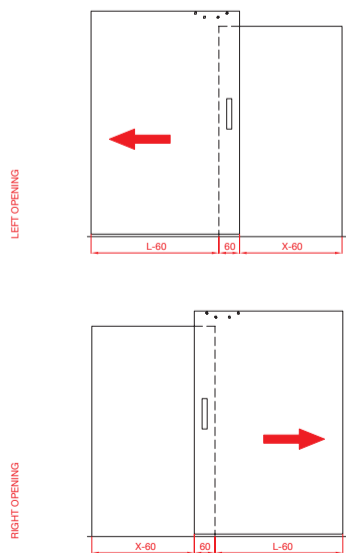
**1100**  
 B=0  
 X= MIN. 680 (L=850)  
 X= MAX. 930 (L=1100)

**B=50**  
 X= MIN. 680 (L=900)  
 X= MAX. 880 (L=1100)

**1800**  
 B=0  
 X= MIN. 680 (L=850)  
 X= MAX. 1630 (L=1800)

**B=50**  
 X= MIN. 680 (L=900)  
 X= MAX. 1580 (L=1800)

**ACCESSORIES PLACEMENT (INTERMEDIATE POSITION)**



**1100**  
 B=0  
 X= MIN. 740 (L=850)  
 X= MAX. 990 (L=1100)

**B=50**  
 X= MIN. 740 (L=900)  
 X= MAX. 940 (L=1100)

**1800**  
 B=0  
 X= MIN. 740 (L=850)  
 X= MAX. 1690 (L=1800)

**B=50**  
 X= MIN. 740 (L=900)  
 X= MAX. 1640 (L=1800)

**MEASUREMENTS DESCRIPTION**

